

Sheet: POKEY & Pots

File: POKEY.sch

Sheet: MEMORY_DECODING & ROM

File: MEMORY-DECODING_ROM.sch

Sheet: POWER AUDIO RESET

File: POWER AUDIO RESET.sch

Sheet: KEYBOARD

File: KEYBOARD.sch

Sheet: DRAM

File: DRAM.sch

Sheet: GITA & VIDEO

File: GITA_VIDEO.sch

Sheet: CONNECTORS

File: CONNECTORS.sch

Sheet: KEYBOARD_MATRIX

File: KEYBOARD_MATRIX.sch

Sheet: CPU'S + FREDDY

File: CPUS_FREDDY.sch

Sheet: PIA MOTOR STICKS

File: PIA MOTOR STICKS.sch

Sheet: PAL_CLOCK

File: PAL_CLOCK.sch

Drawn By: Graham Rolle

Sheet: /
File: XEGS_Original.sch

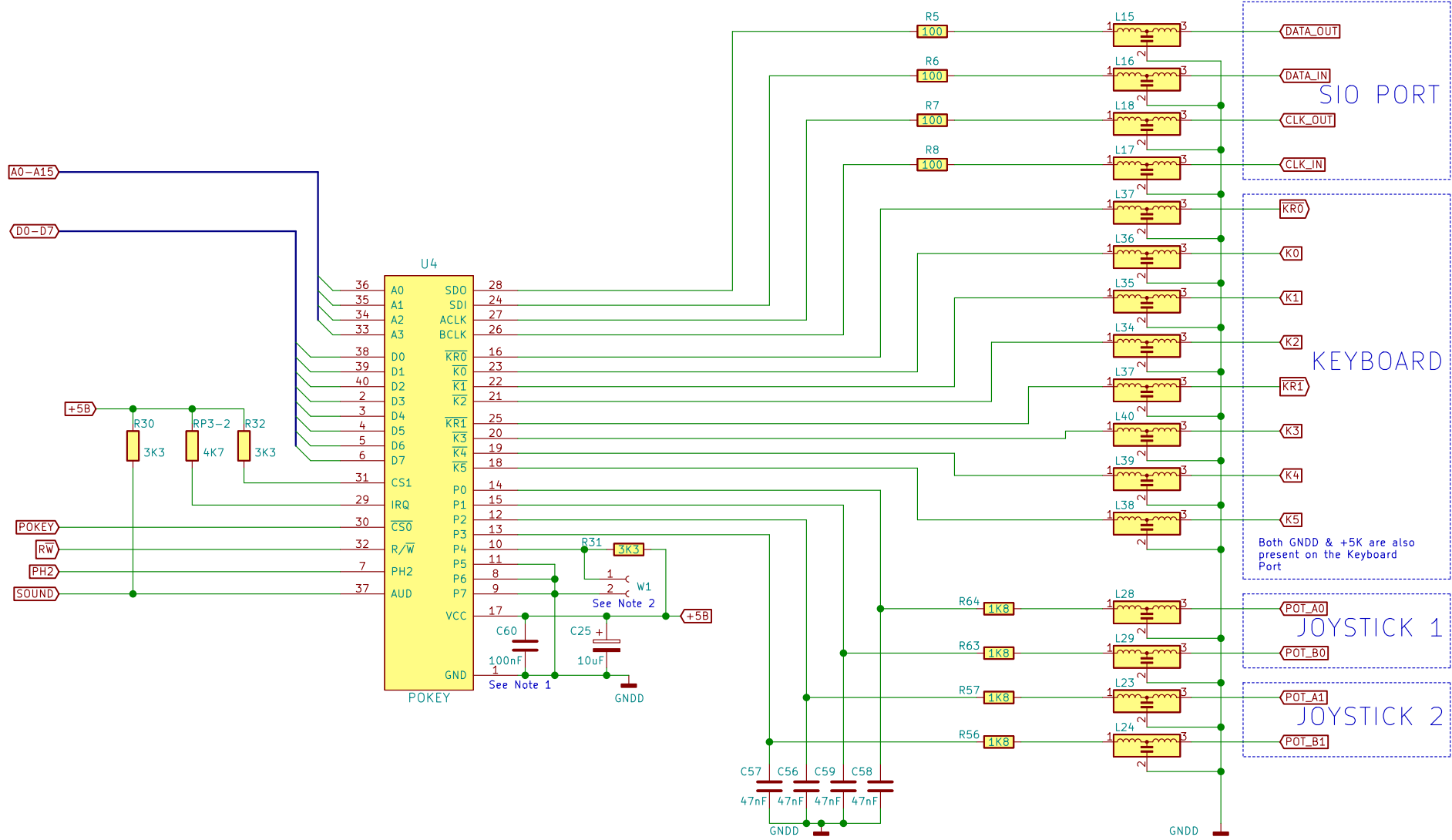
Title: Master PAL System XEGS schmatic

Size: A4 Date: 2020-09-18

Rev: V1.9

KiCad E.D.A. kicad (5.1.5)-3

Id: 1/12



Note 1: C60 on Revision A, but not marked on Rev.3

Note 2: W1 linked

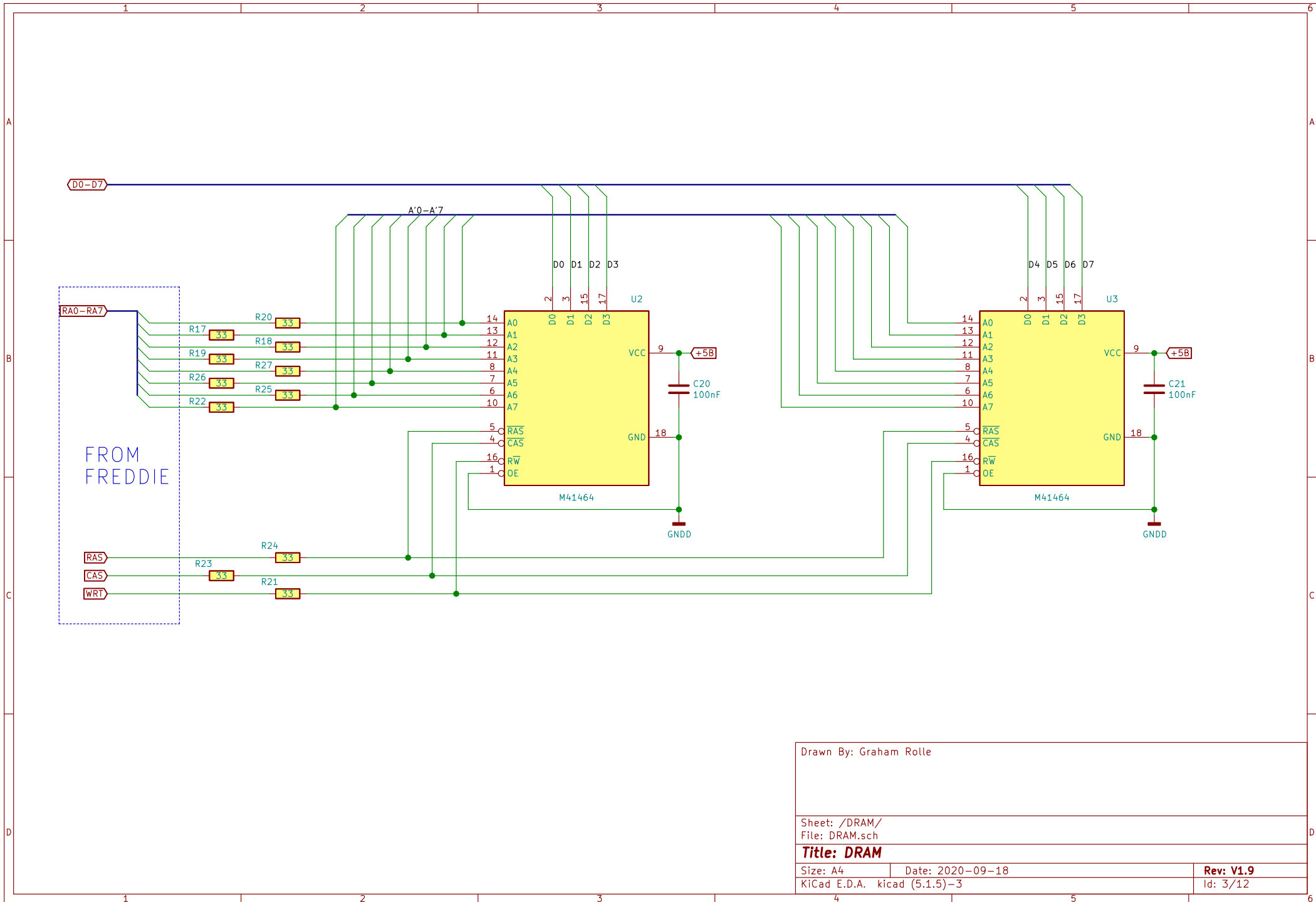
Drawn By: Graham Rolle

Sheet: /POKEY & Pots/
File: POKEY.sch

Title: POKEY

Size: A4 Date: 2020-09-18
KiCad E.D.A. kicad (5.1.5)-3

Rev: V1.9
Id: 2/12

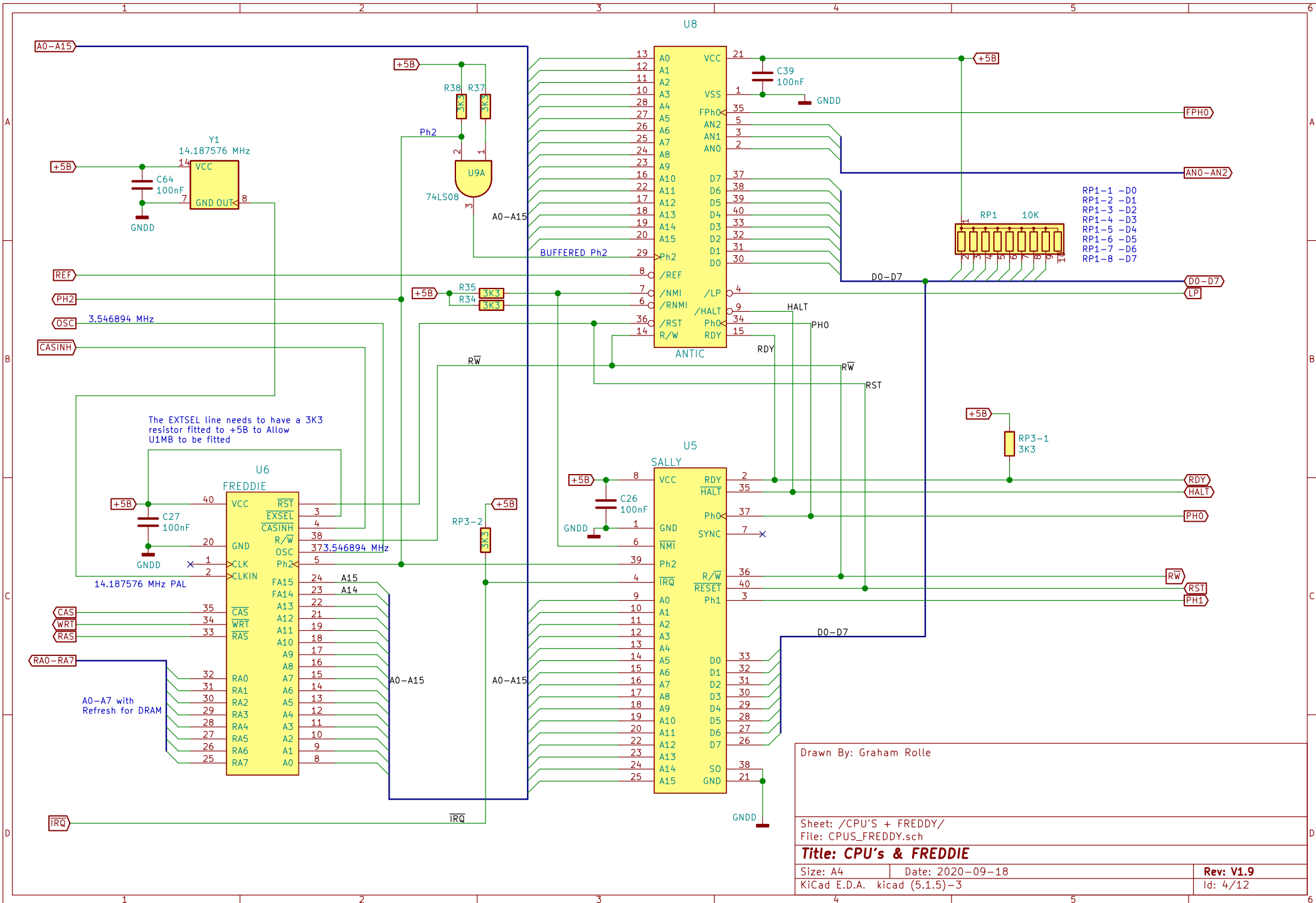


Drawn By: Graham Rolle

Sheet: /DRAM/
File: DRAM.sch

Title: DRAM

Size: A4	Date: 2020-09-18	Rev: V1.9
KiCad E.D.A. kicad (5.1.5)-3		Id: 3/12



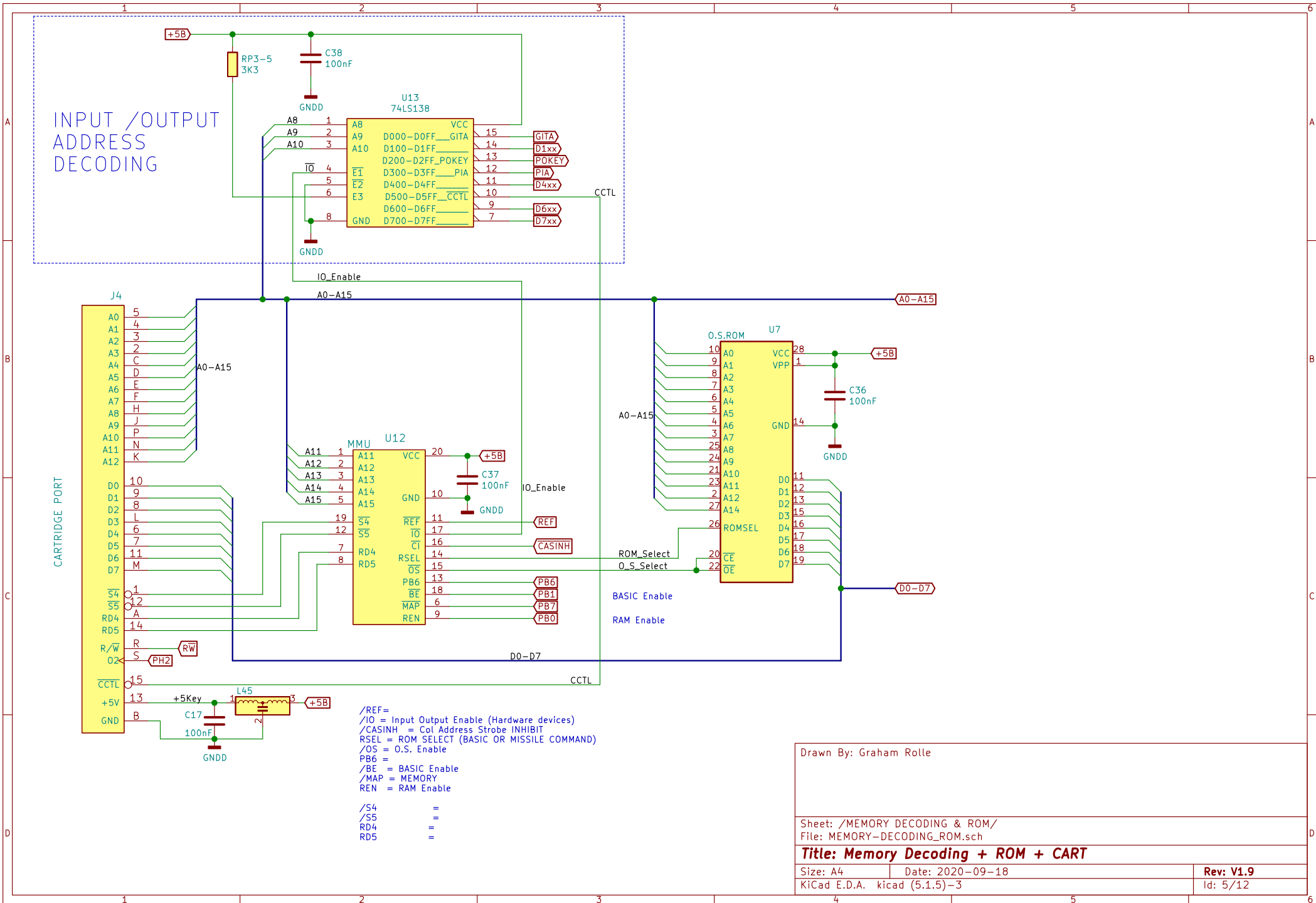
Drawn By: Graham Rolle

Sheet: /CPU'S + FREDDY/
File: CPUS_FREDDY.sch

Title: CPU's & FREDDIE

Size: A4 | Date: 2020-09-18
KiCad E.D.A. kicad (5.1.5)-3

Rev: V1.9
Id: 4/12



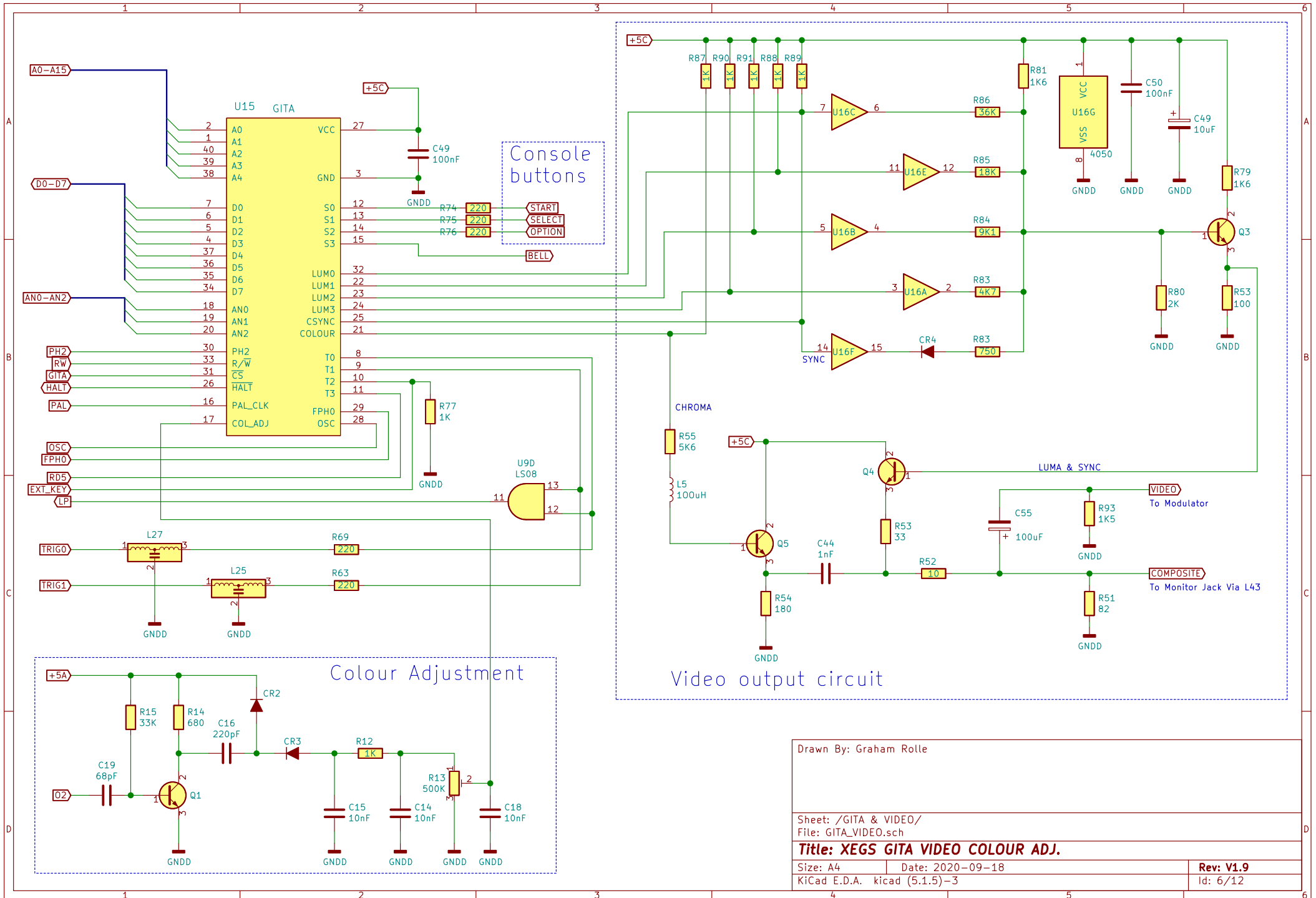
Drawn By: Graham Rolfe

Sheet: /MEMORY DECODING & ROM/
File: MEMORY-DECODING_ROM.sch

Title: Memory Decoding + ROM + CART

Size: A4 Date: 2020-09-18
KiCad E.D.A. kicad (5.1.5)-3

Rev: V1.9
Id: 5/12

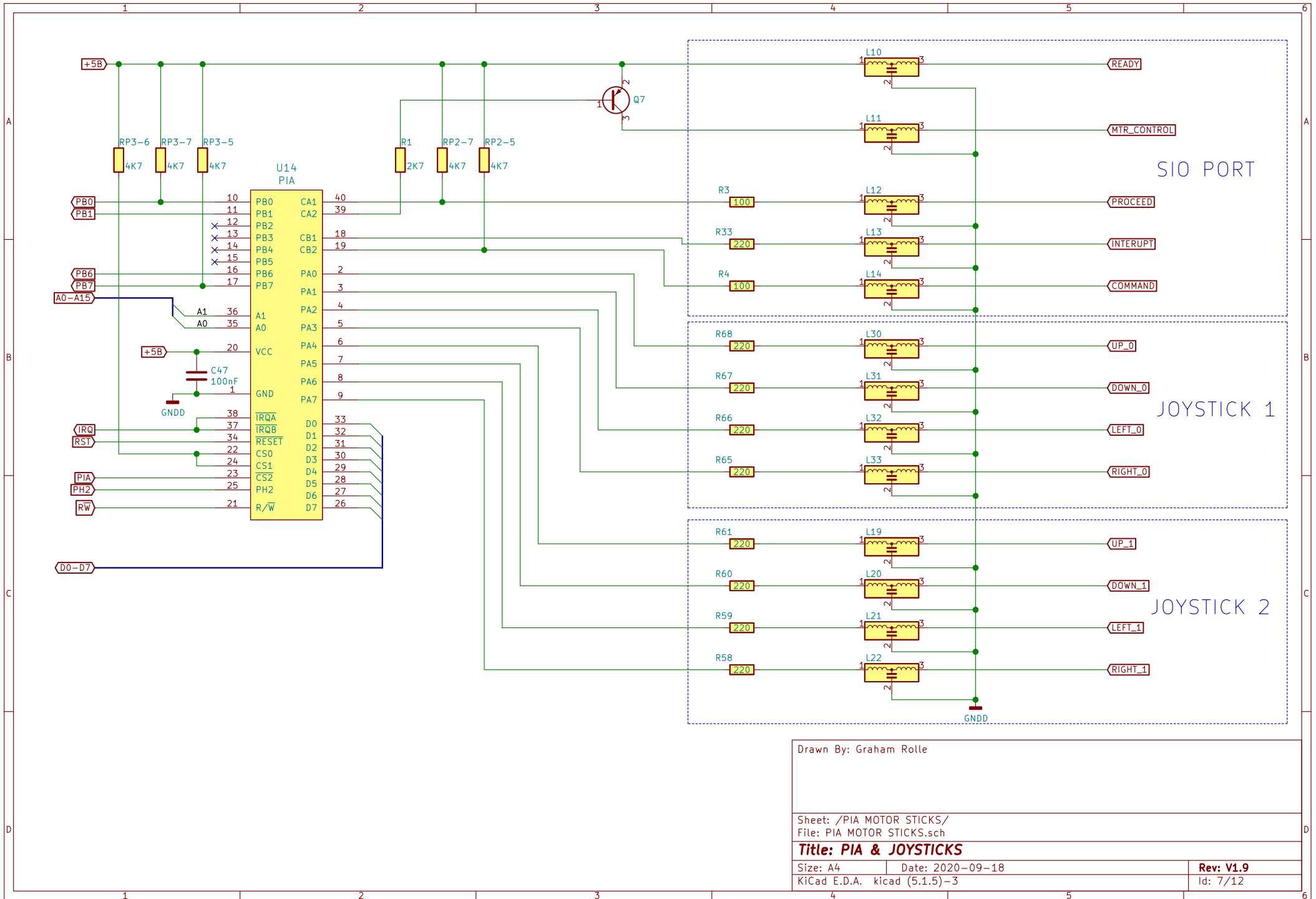


Drawn By: Graham Rolle

Sheet: /GITA & VIDEO/
 File: GITA_VIDEO.sch

Title: XEGS GITA VIDEO COLOUR ADJ.

Size: A4	Date: 2020-09-18	Rev: V1.9
KiCad E.D.A. kicad (5.1.5)-3		Id: 6/12



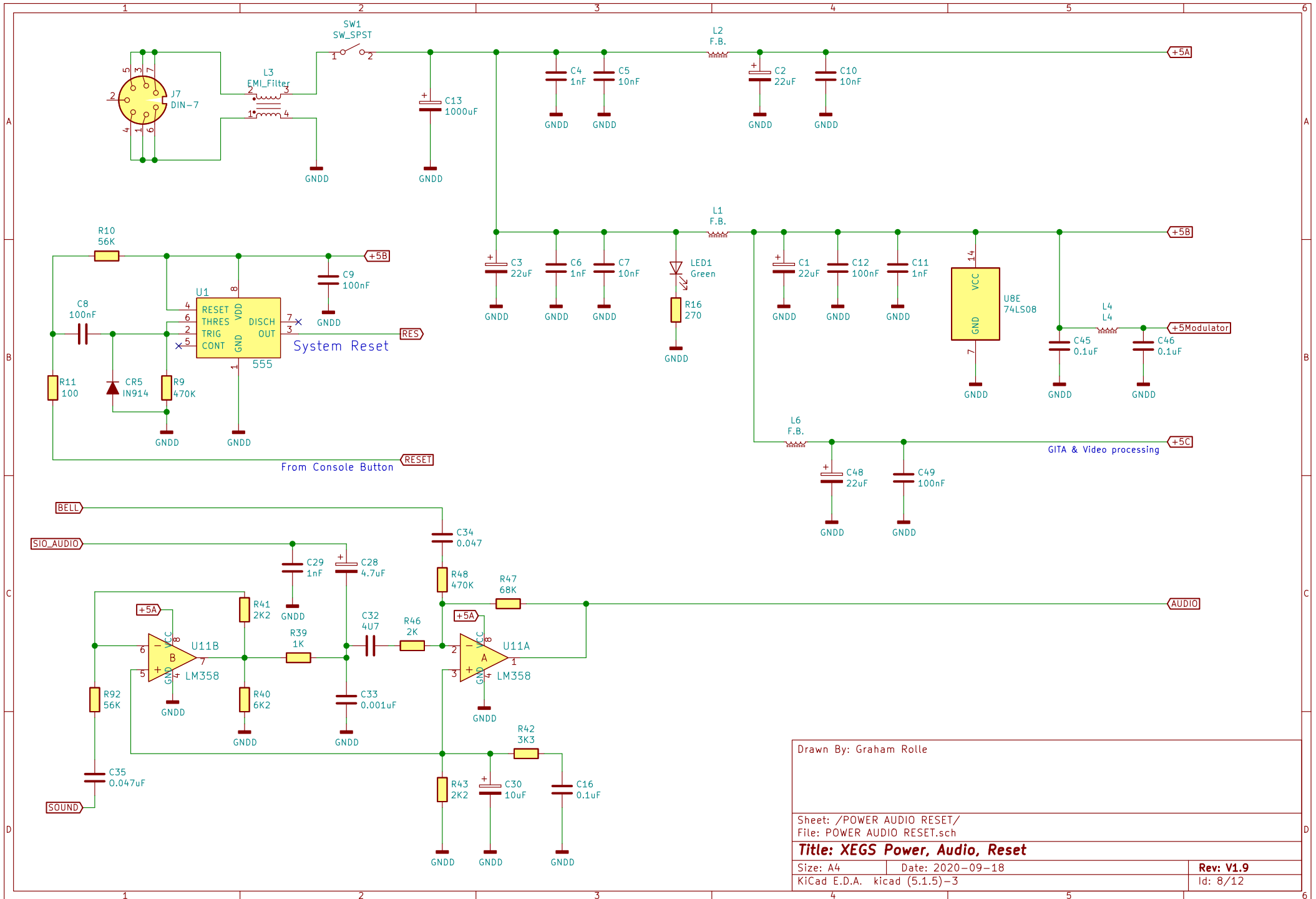
Drawn By: Graham Rolle

Sheet: /PIA MOTOR STICKS/
File: PIA MOTOR STICKS.sch

Title: PIA & JOYSTICKS

Size: A4 Date: 2020-09-18
KiCad E.D.A. kicad (5.1.5)-3

Rev: V1.9
Id: 7/12

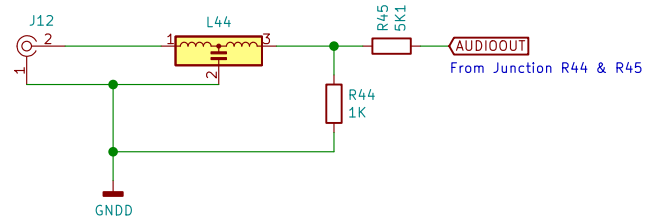
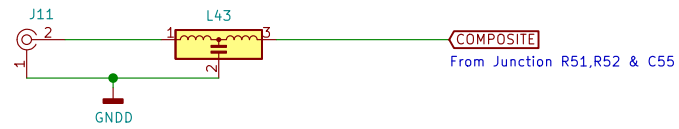
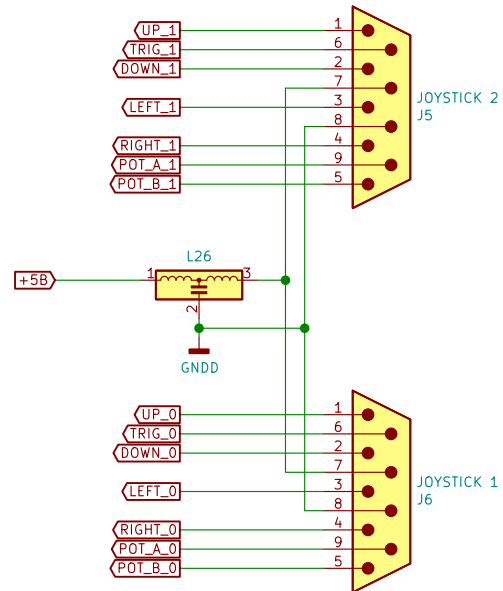
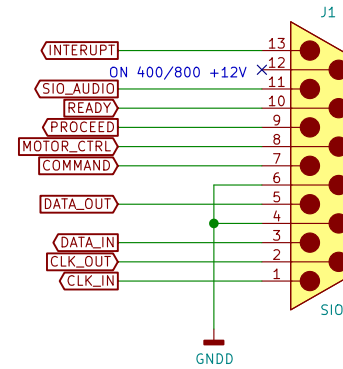
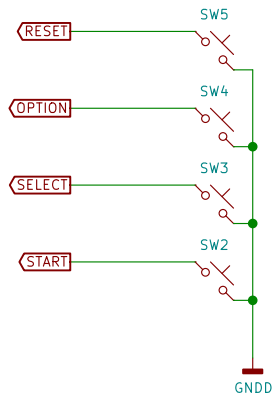
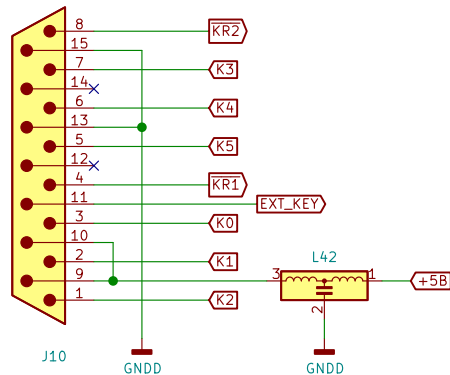


Drawn By: Graham Rolle

Sheet: /POWER AUDIO RESET/
 File: POWER AUDIO RESET.sch

Title: XEGS Power, Audio, Reset

Size: A4	Date: 2020-09-18	Rev: V1.9
KiCad E.D.A. kicad (5.1.5)-3		Id: 8/12



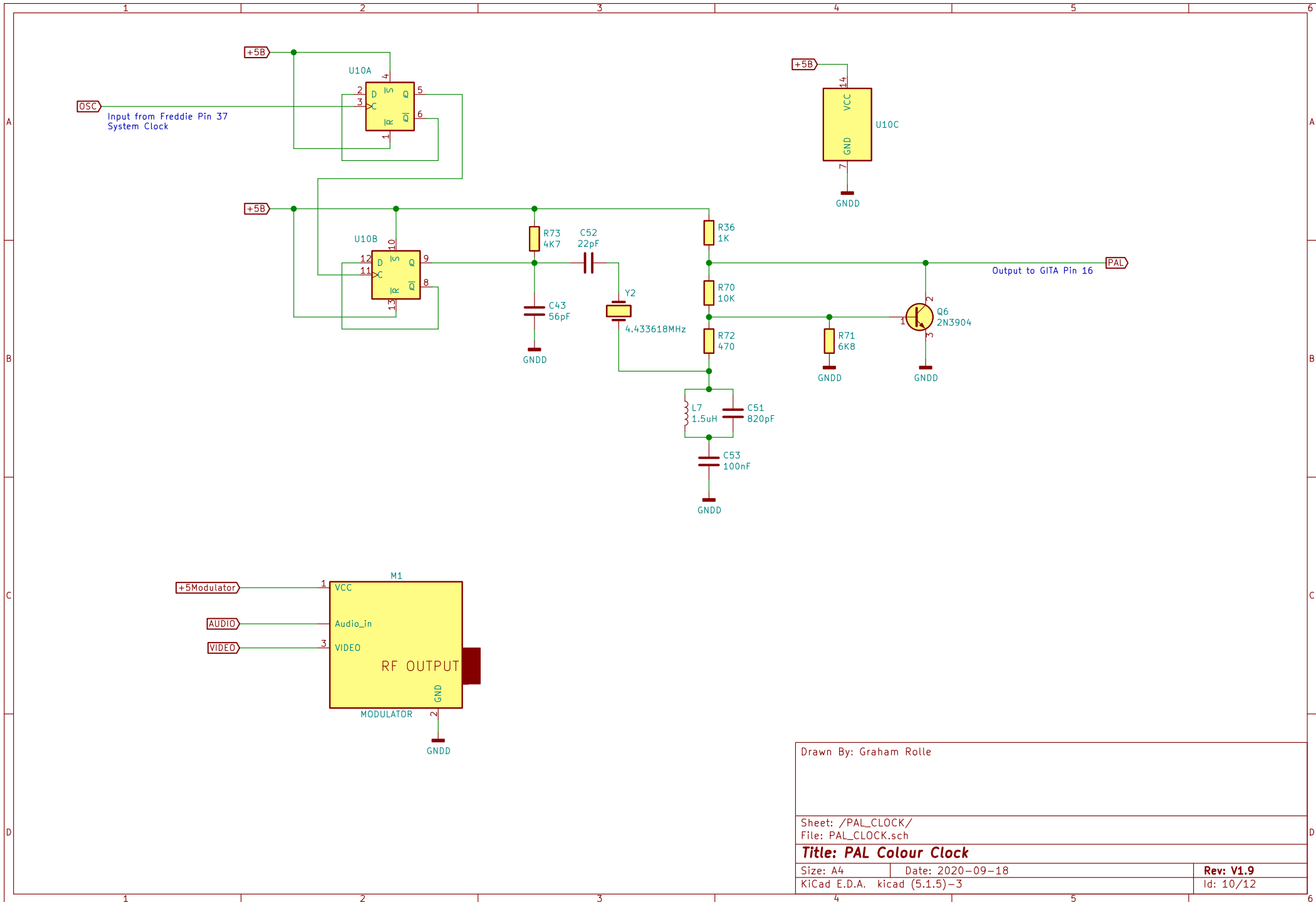
Drawn By: Graham Rolle

Sheet: /CONNECTORS/
File: CONNECTORS.sch

Title: External Connections

Size: A4 Date: 2020-09-18
KiCad E.D.A. kicad (5.1.5)-3

Rev: V1.9
Id: 9/12



Drawn By: Graham Rolle

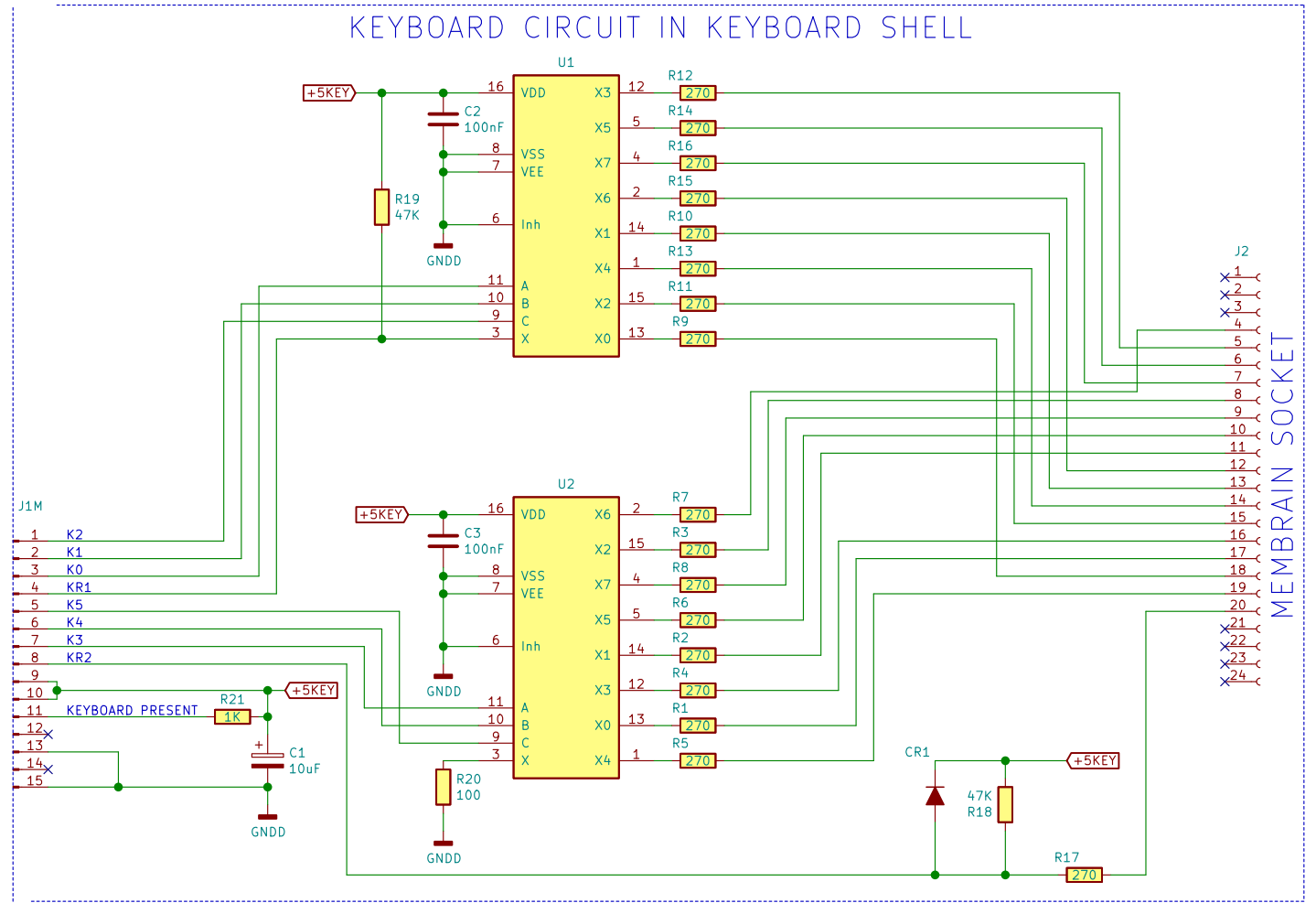
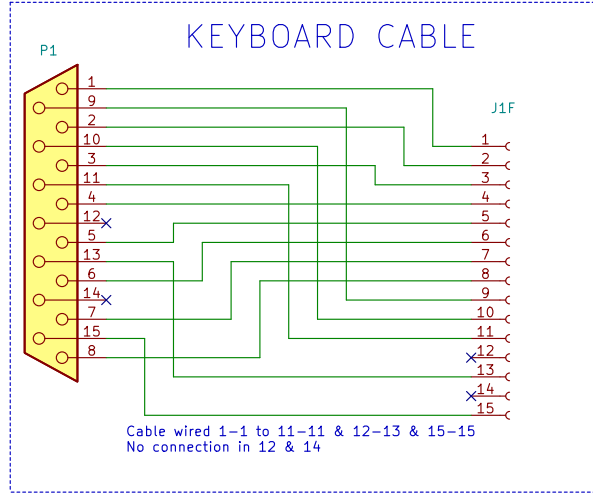
Sheet: /PAL_CLOCK/
File: PAL_CLOCK.sch

Title: PAL Colour Clock

Size: A4 | Date: 2020-09-18 | Rev: V1.9

KiCad E.D.A. kicad (5.1.5)-3 | Id: 10/12

KEYBOARD CIRCUIT IN KEYBOARD SHELL

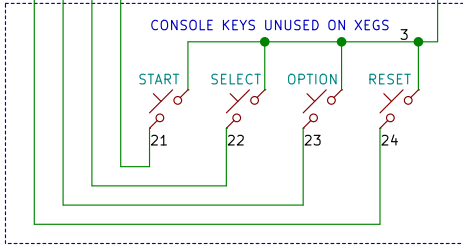
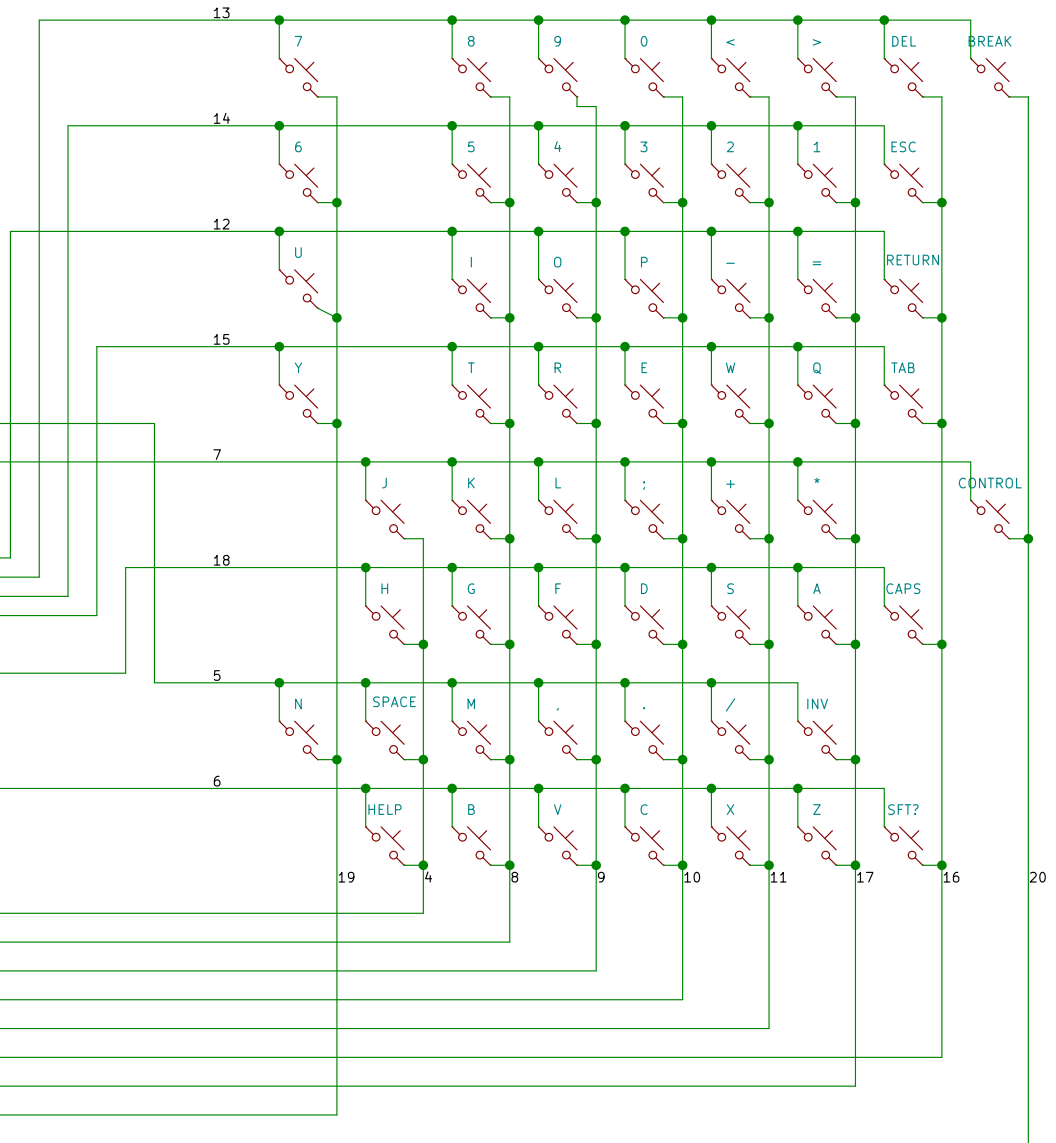


Drawn By: Graham Rolle	
Sheet: /KEYBOARD/ File: KEYBOARD.sch	
Title: INTERNAL KEYBOARD CIRCUIT	
Size: A4	Date: 2020-09-18
KiCad E.D.A. kicad (5.1.5)-3	Rev: V1.9 Id: 11/12

KEYBOARD MEMBRANE

1 X
2
3
4
5
6
7
8
9
10
11
12
13
14
15
16
17
18
19
20
21
22
23
24

LED1 LED UNUSED IN XEGS



Drawn By: Graham Rolle

Sheet: /KEYBOARD_MATRIX/
File: KEYBOARD_MATRIX.sch

Title: KEYBOARD MATRIX

Size: A4 Date: 2020-09-18
KiCad E.D.A. kicad (5.1.5)-3

Rev: V1.9
Id: 12/12